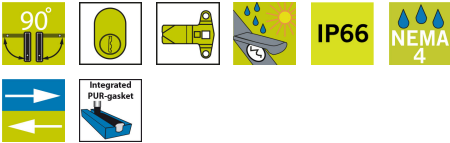


VISION SWING HANDLE RC2 FOR OVAL CYLINDER



Low profile swing handle used for Vision classic latching systems, traditional cams and round rods. Approved according to the anti-vandal classification RC2. Optional saw protection available for protection beyond RC2 requirements.

It is used with a Scandinavian oval cylinder (ordered separately). Equipped with sliding dust cover and sealed to IP66.



MATERIAL

Handle: Zinc die cast, black coated

Dish: Zinc die cast, black coated

Pivot shaft: Stainless steel 316

Dust cover: Glass fibre reinforced polyamide (PA6GF30)

O-ring: NBR

RELATED PRODUCTS

Cams: 1-008.51, 2-480

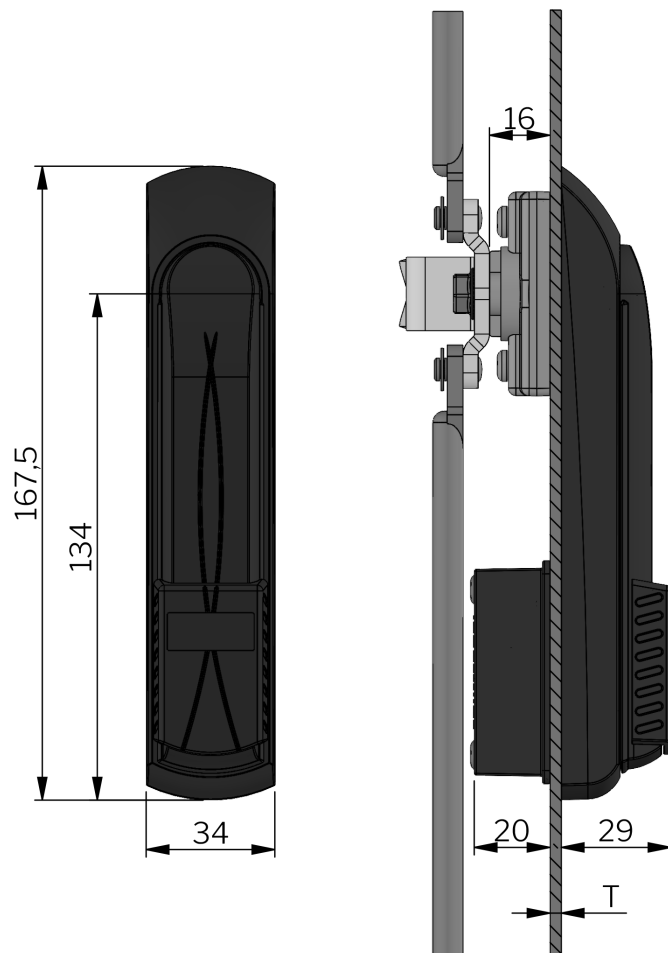
Rods: 2-540, 2-541, 2-545

Rod adapters: 2-541

Cylinders: 1-010

Similar products: 1-004.05

Use the Index Code at industrilas.com



Industrilas
— When access counts —

Make your selections in each column to create your article number (AAAA-BBCCDE-FF)

AAAA Handle		BB Insert / Cylinder	CC Material / Surface treatment	D Protection degree	E Door thickness	FF Burglar protection
1541	Swing handle 180°	84 For Oval Cylinder	16 Zinc die cast, black texture powder coated	5 IP66	1 0,8 - 1,5 mm	01 RC2 02 RC2 + saw protection
1542	Swing handle counter clockwise		26 Zinc die cast, black texture powder coated, Highlander		2 1,6 - 2,5 mm	
1543	Swing handle clockwise				3 2,6 - 3,5 mm	

Version C

